



ATLAS METAL

1135 N.W. 159th DRIVE, MIAMI, FLORIDA 33169

TEL 305.625.2451

TOLL FREE 800.762.7565

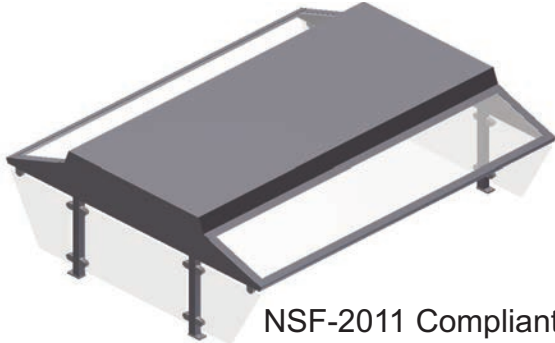
FAX 305.623.0475

WWW.ATLASFOODSERV.COM

SALES@ATLASFOODSERV.COM

Project: _____
 Item No.: _____
 Quantity: _____

SNEEZE GUARDS



NSF-2011 Compliant

**BUFFET CANOPY
 DUAL SERVICE**

OSDC - SERIES
Stainless Steel
Overshelf

SPECIFICATIONS

The top shelf is constructed of 18 gauge stainless steel and the uprights are constructed of 1" square stainless steel tubing, all welded construction, ground and polished to a uniform finish. The unit includes 3/16" front and rear panels and (2) end panels of 1/4" clear Plexiglas. The front and rear panels are angled for self-service operation and manufactured to meet UL Listing. The end panels are supported by stainless steel clamps which are bolted to the frame. Unit is supplied with stainless steel flanges for ease of mounting to any counter top.

Specifications subject to change without notice.

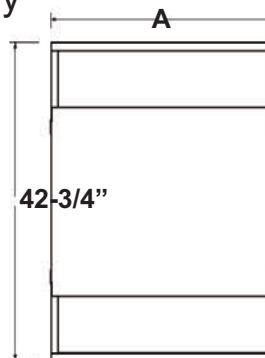
MODEL SIZE	"A" LENGTH	OSDHC (watts @120V)	OSDC WT (LBS.)	OSDCX WT. (LBS.)	OSDHC WT. (LBS.)
2	35-3/4" (98.8cm)	500	63 (28.6kg)	61 (27.7kg)	71 (32.2kg)
3	49-1/2" (125.7cm)	750	76 (34.5kg)	72 (32.7kg)	79 (35.8kg)
4	63-1/4" (160.7cm)	1000	96 (43.5kg)	84 (38.1kg)	91 (41.3kg)
5	77" (195.6cm)	1250	109 (49.4kg)	98 (44.5kg)	105 (47.6kg)
6	90-3/4" (230.5cm)	1500	202 (91.6kg)	184 (83.5kg)	201 (91.2kg)

MODEL NUMBERS

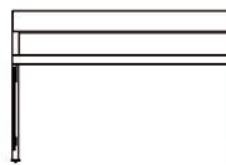
- **OSDC-(2-6)** - Buffet canopy, dual service, with fluorescent lights
- **OSDC-X-(2-6)** - Buffet canopy, dual service, less lights
- **OSDHC-(2-6)** Buffet canopy, dual service, with heat lamps

ACCESSORIES

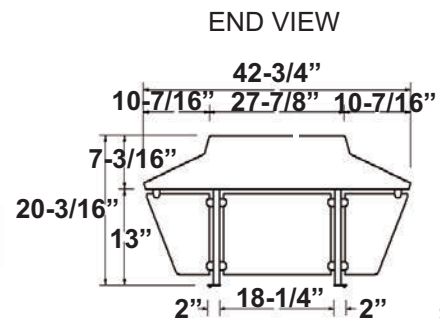
- **LTC** - Plastic Laminate Trim



TOP VIEW



REAR VIEW



END VIEW