

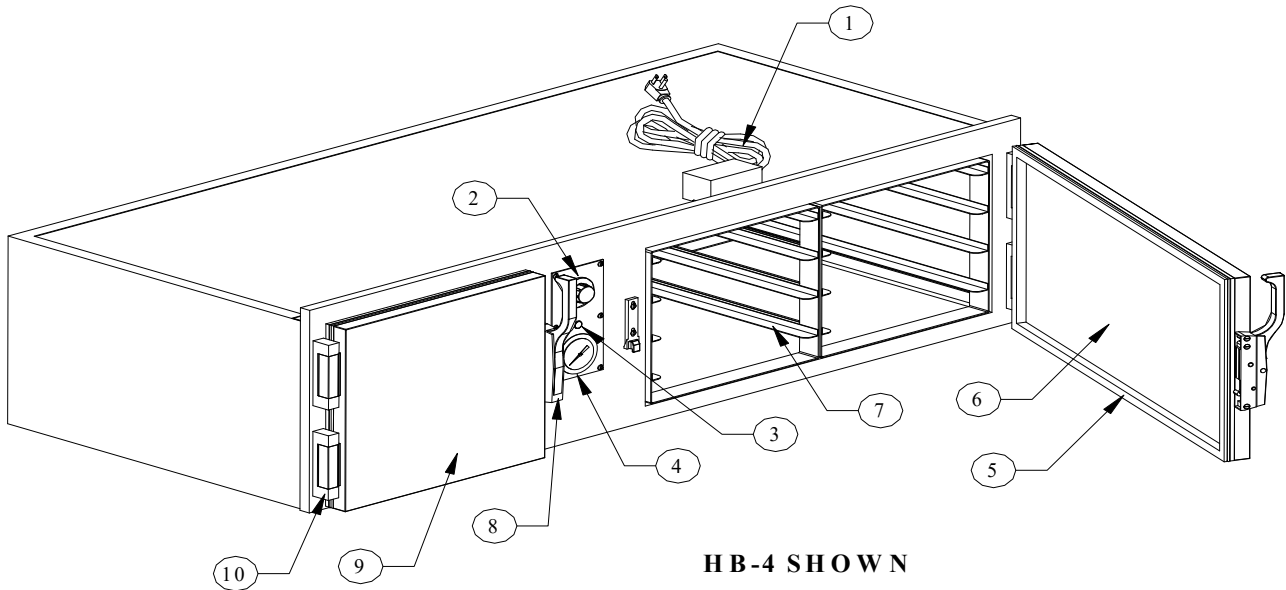


ATLAS METAL

Subsidiary of Mercury Aircraft, Inc.

1135 N.W. 159th DR., MIAMI, FL 33169
 PHONE (305) 625-2451, (800) 762-7565, FAX (305) 623-0475, E-mail: sales@atlasfoodserv.com

PARTS LIST ELECTRICAL HEATED BASE HB SERIES



ITEM NUMBER	PART NUMBER	DESCRIPTION
1	1001-0	Power Cord 14/3-15 Amps 240V
	1002-0	Power Cord 14/3-15 Amps 120V
2	22-1407	Thermostat Knob
3	1099	Pilot Light
4	1105-0	Thermometer
5	7010-3	#3 & #4 Door Gasket
	7013-3	#4 & #5 Door Gasket
6	S83754-4	Door Assembly HB-5
7	S83753-0	Pan Rack
8	6055-1	Slam Action Latch
	6052-1	Slam Action W/ Lock
9	S83754-3	Door Assembly HB-3, HB-4
10	6053-8	Hinge & Cover
11	1087-0	Cord Connector (Not Shown)
12	2500-1	Thermostat (Not Shown)
13	1053-0	120V / 850W Element (Not Shown)
	1054-0	208V / 850W Element (Not Shown)
	1055-0	240V / 850W Element (Not Shown)

SLIDE- IN HEATED BASE

HB SERIES

OPERATION

The unit is ready to operate as soon as it is plugged in and turned on. The thermostat has an off position and numbers from #1 through #10 (number 10 is the highest setting).

The unit is supplied with a power cord and NEMA plug. Refer to the data plate for the amperage and voltage information. Use a licensed electrician when installing power source.

MAINTENANCE

NEVER CLEAN THE UNIT WITH A CHLORIDE BASED PRODUCT. CHLORIDES OR IMPROPER CLEANING COULD SCAR, MARK AND/OR CORRODE METAL. **DO NOT** USE STEEL WOOL OR ABRASIVE PRODUCTS. TO CLEAN USE SOAPY WARM WATER, RINSE THOROUGHLY TO REMOVE ALL RESIDUES. **FAILURE TO MEET THESE CONDITIONS WILL VOID WARRANTY.**