



# ATLAS METAL

1135 N.W. 159th DRIVE, MIAMI, FLORIDA 33169

TEL 305.625.2451

TOLL FREE 800.762.7565

FAX 305.623.0475

WWW.ATLASFOODSERV.COM

SALES@ATLASFOODSERV.COM

Project: \_\_\_\_\_

Item No.: \_\_\_\_\_

Quantity: \_\_\_\_\_

## CSG - CUSTOM FOOD GUARDS



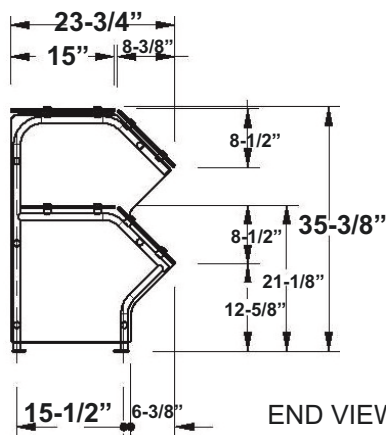
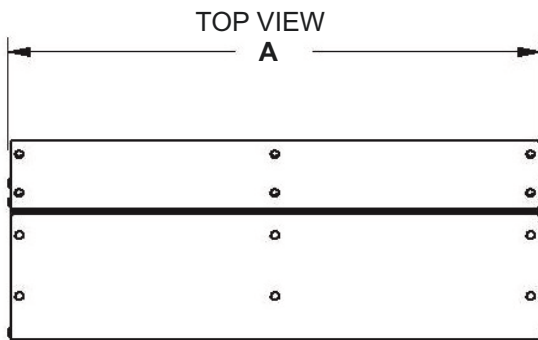
### CUSTOM FOOD GUARD

**CSG - SERIES**  
**Double Deck**  
**Display**

- CSG-1N
- CSG-2N
- CSG-3N
- CSG-4N
- CSG-5N
- CSG-6N

### SPECIFICATIONS

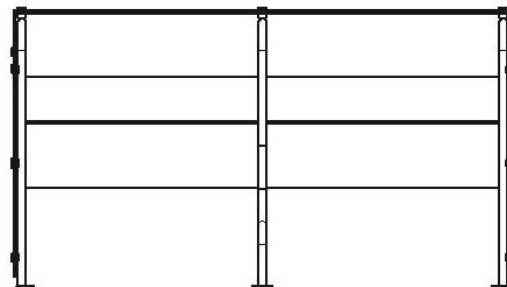
Sneeze guard is constructed from 1" DIA. Stainless steel tubing formed, welded & polished to a uniform finish, mounting hardware & adaptor spacer made of type 316 stainless steel, front & top panels of 3/8" thick tempered glass, (2) 1/4" thick tempered end panels, all tempered glass panels have radius corners & polished edges, easily removable/replaceable, unit is supplied with stainless steel flange feet for ease of mounting to any countertop.



### ACCESSORIES

- **CSG-FL** - LED lights, per tier
- **CSG-FW** - Food warmer, per tier
- **CSG-FWL** - Food warmer with incandescent lights, per tier
- **CSG-PC** - Powder coating

MODEL SIZE	LENGTH "A"	WT (LBS.)
1	23-7/8" (60.64cm)	96 (43.99kg)
2	36-1/8" (91.75cm)	123 (55.79kg)
3	49-7/8" (126.68cm)	155 (70.30kg)
4	63-5/8" (161.60cm)	173 (78.47kg)
5	77-3/8" (196.53cm)	221 (100.24kg)
6	91-1/8" (231.45cm)	245 (111.13kg)



REAR VIEW



CSG-10