



ATLAS METAL

1135 N.W. 159th DRIVE, MIAMI, FLORIDA 33169

TEL 305.625.2451

TOLL FREE 800.762.7565

FAX 305.623.0475

WWW.ATLASFOODSERV.COM

SALES@ATLASFOODSERV.COM

Project: _____

Item No.: _____

Quantity: _____

CSG - CUSTOM FOOD GUARDS



CUSTOM FOOD GUARD

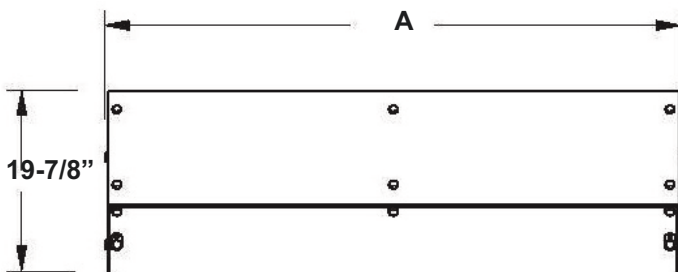
CSG - SERIES
Self Service
Open Top

- CSG-11
- CSG-21
- CSG-31
- CSG-41
- CSG-51
- CSG-61

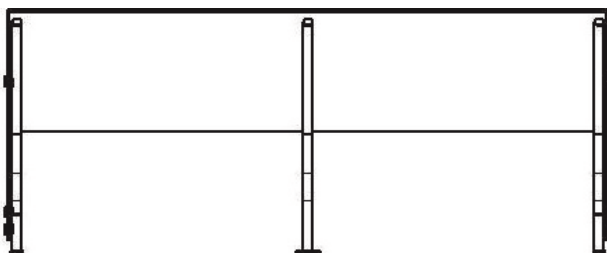
SPECIFICATIONS

Sneeze guard is constructed from 1" DIA. Stainless steel tubing formed, welded & polished to a uniform finish, mounting hardware & adaptor spacer made of type 316 stainless steel, front & top panels of 3/8" thick tempered glass, (2) 1/4" thick tempered end panels, all tempered glass panels have radius corners & polished edges, easily removable/replaceable, unit is supplied with stainless steel flange feet for ease of mounting to any countertop.

TOP VIEW



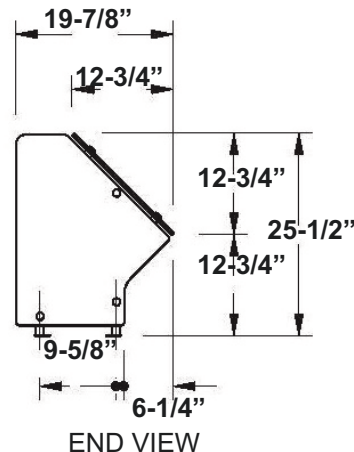
REAR VIEW



ACCESSORIES

- CSG-PC - Powder coating

MODEL SIZE	LENGTH "A"	WT (LBS.)
1	23-7/8" (60.64cm)	22 (9.9kg)
2	36-1/8" (91.75cm)	30 (13.6kg)
3	49-7/8" (126.68cm)	36 (16.32kg)
4	63-5/8" (161.60cm)	42 (19.05kg)
5	77-3/8" (196.53cm)	48 (22.22kg)
6	91-1/8" (231.45cm)	56 (25.4kg)



CSG-6