



ATLAS METAL

1135 N.W. 159th DRIVE, MIAMI, FLORIDA 33169

TEL 305.625.2451

TOLL FREE 800.762.7565

FAX 305.623.0475

WWW.ATLASFOODSERV.COM

SALES@ATLASFOODSERV.COM

Project: _____

Item No.: _____

Quantity: _____

CSG - CUSTOM FOOD GUARDS



CUSTOM FOOD GUARD

CSG - SERIES

Glass Top, Front & Ends
with Middle Shelf

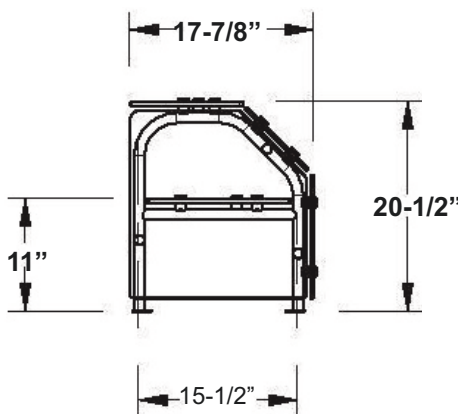
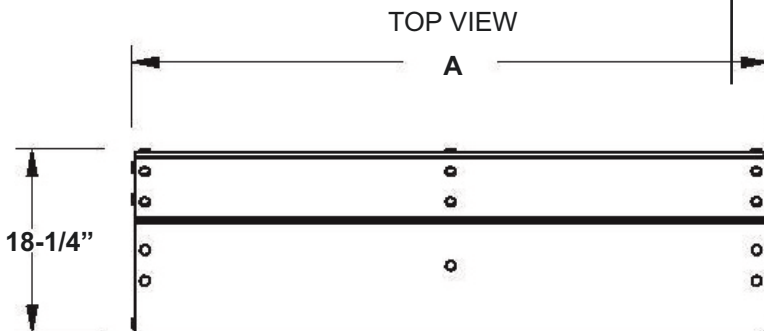
- CSG-1B
- CSG-2B
- CSG-3B
- CSG-4B
- CSG-5B
- CSG-6B

SPECIFICATIONS

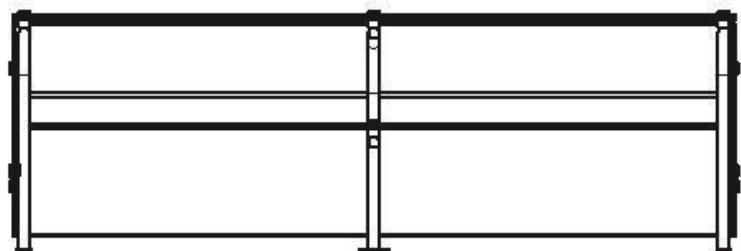
Sneeze guard is constructed from 1" DIA. Stainless steel tubing formed, welded & polished to a uniform finish, mounting hardware & adaptor spacer made of type 316 stainless steel, front & top panels of 3/8" thick tempered glass, (2) 1/4" thick tempered end panels, all tempered glass panels have radius corners & polished edges, easily removable/replaceable, unit is supplied with stainless steel flange feet for ease of mounting to any countertop.

ACCESSORIES

- CSG-FL - LED lights
- CSG-FW - Food warmer
- CSG-FWL - Food warmer with incandescent lights
- CSG-PC - Powder coating



MODEL SIZE	LENGTH "A"	WT (LBS.)
1	23-7/8" (60.64cm)	63 (28.5kg)
2	36-1/8" (91.75cm)	75 (34.01kg)
3	49-7/8" (126.68cm)	87 (39.46kg)
4	63-5/8" (161.60cm)	107 (48.5kg)
5	77-3/8" (196.53cm)	127 (57.60kg)
6	91-1/8" (231.45cm)	145 (65.77kg)



END VIEW

REAR VIEW



CSG-2