



# ATLAS METAL

1135 N.W. 159th DRIVE, MIAMI, FLORIDA 33169

TEL 305.625.2451

TOLL FREE 800.762.7565

FAX 305.623.0475

WWW.ATLASFOODSERV.COM

SALES@ATLASFOODSERV.COM

Project: \_\_\_\_\_

Item No.: \_\_\_\_\_

Quantity: \_\_\_\_\_

## MODULAR UNITS CA SERIES



CARM-4 SHOWN WITH ACCESSORIES

## COLD FOOD UNIT

Refrigerated Cold Pan with 3" Recessed Top

- CARM-2
- CARM-3
- CARM-4
- CARM-5
- CARM-6

### SPECIFICATIONS

**TOP:** Constructed of 16 gauge, type 304 stainless steel, die-formed, welded, ground and polished. The top is provided with an opening to receive the appropriately sized drop-in unit. An integral locking device shall be provided to align and retain cart positioning when two or more carts are joined.

**BODY:** Frame construction shall be of hi-tensile aluminum square tubing, 1-1/4" x 1-1/4". Frame sections are welded construction, ground and polished to a uniform finish. Body is complete with front panel and 7" rear apron of plastic laminate on .063 to aluminum. Owner to specify finish.

**REFRIGERATED COLD PAN:** The cart includes a RM series drop-in refrigerated cold pan installed in the top. Constructed of 18 gauge, type 304 stainless steel, with raised perimeter bead and solid vinyl gasket. The pan is fully insulated with high density polystyrene, 1" thick on all sides, 2" thick on the bottom and enclosed with a 22 gauge galvanized steel outer case. The interior liner is fabricated with 1/4" radius coved corners. The liner has copper tubing firmly soldered to the top 3" on all sides. A 3/4" dia. drain with strainer, 4" PVC nipple, and valve is provided. Separator channels to hold 12" x 20" food pans are included.

**REFRIGERATION SYSTEM:** The compressor housing shall be fabricated from formed 14 gauge galvanized and bolted to the base of the unit. A fully self-contained condensing unit is provided with a hermetically sealed compressor and a digital electronic thermostat/thermometer. The system is fully charged with CFC free refrigerant and ready to operate.

**ELECTRICAL:** The unit will be wired for 15 amps., 120 volt, single phase operation, with an on/off thermostat switch and pilot light. A 6' long, 3-wire cord and plug (NEMA 5-15P) will be provided.

**CASTERS:** The casters shall be 5" diameter, non-marking rubber tired, swivel type with ball bearings in both swivel and axle raceways, provided with grease fittings. Both casters on operator's side have toe activated brakes.

*Specifications subject to change without notice.*

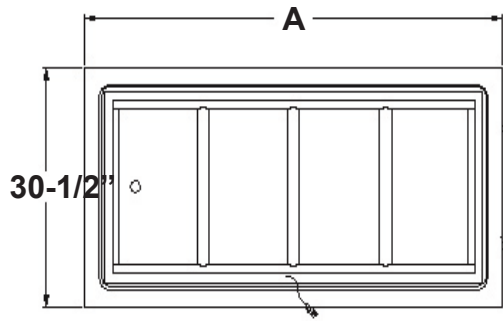
### STANDARD FEATURES

- Fully insulated for maximum efficiency and energy savings
- Self contained refrigeration system - just plug it in and turn it on
- Positive self-locking device - keeps tops level and equipment in place
- Fully mobile - each unit is provided with 5" dia. swivel casters, two with brakes
- Versatile - available in a wide range of sizes and a wide variety of finishes and colors
- 1-Year Parts & Labor Warranty
- UL Listed

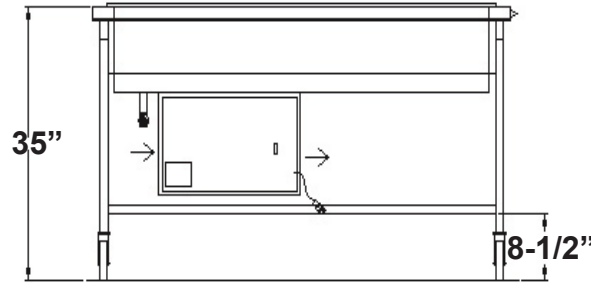
### ACCESSORIES

- **SL** - Tray Slide, 11-1/4" wide, S/S, 2-rail, fold-down
- **SLT** - Tray Slide, 11-1/4" wide, S/S, 3-rail, fold-down
- **SLS** - Tray Slide, 11-1/4" wide, S/S solid, ribbed, fold-down
- **SLF** - Tray Slide, 11-1/4" wide, plastic laminate with S/S runners, fold-down
- **SH** - Work Shelf, 8" wide, S/S, fold-down
- **CB** - Work Shelf, 8" wide, hardwood maple, fold-down
- **CR** - Work Shelf, 8" wide, Richlite, fold-down
- **ES** - End Shelf, 16" wide, S/S, fold-down
- **CBE** - End Shelf, 16" wide, hardwood maple, fold-down
- **EPA** - End Panel, aluminum w/ plastic laminate (each)
- **S** - S/S Front Panel
- **EPS** - S/S End Panel (each)
- **PP** - Painted Panels, urethane, in lieu of laminate
- **US** - Undershelf, S/S, removable
- **RPS** - Rear Sliding Doors, removable
- **HD** - Hinged Doors, S/S
- **DL** - Door Locks (set)(for RPS or HD)
- **Sneeze Guards** - various styles available (see sneeze guard section of catalog)
- **CO** - Convenience Outlet (specify base or apron mount)
- **CO-DUP** - Convenience Outlet, Duplex receptacle
- **JBC** - Outlet Box in base, 4x4 (120V) with cord
- **ERS** - Electrical Raceway System
- **PCS** - 7 to 10 ft. Power Cord
- **CW** - Cord Wrap
- **P-CAST** - Polyurethane Casters, 2-W/Brakes
- **Legs** with adjustable feet in lieu of casters
- **BSF** - Front Skirt with recessed casters
- **BSE** - End Skirt (each)
- **BSR** - Rear Skirt
- **REM-COMP** - Remote Compressor on base of unit w/ louvered S/S compartment and remote on/off switch in apron
- **5YW** - 5-Year Compressor Warranty
- **WFB** - S/S Perforated false bottom
- **Stainless Steel Adapter Plates & Adapter Bars** (pgs. DI-51 - DI-52)
- **CP** - Cover Plate with handles, S/S
- **2060-1** - Condensate Evaporator
- **RS** - Remote on/off switch
- **RDVE** - Rear Drain Valve Extension
- **\*220 Volt - 50 Cycle Compressor**

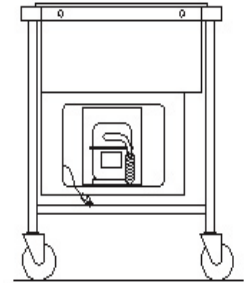
\* Units with these accessories are not currently UL listed.



**PLAN VIEW**



**REAR ELEVATION**



**END VIEW**

MODEL	"A"	PAN OPENINGS	PAN SIZE	ELECTRICAL CHARACTERISTICS	SHIP WT. (lbs.)
CARM-2	36-1/4" (92cm)	2	19-7/8" X 25-5/8" X 9" (50.4 X 65 X 22.8cm)	6.2 amps. - 120 V - 1/4 HP	275 (124.7kg)
CARM-3	50" (127cm)	3	19-7/8" X 39-3/8" X 9" (50.4 X 99.9 X 22.8cm)	6.2 amps. - 120 V - 1/4 HP	325 (147.4kg)
CARM-4	63-3/4" (161.9cm)	4	19-7/8" X 53-1/8" X 9" (50.4 X 134.9 X 22.8cm)	6.5 amps. - 120 V - 1/3 HP	385 (174.6kg)
CARM-5	77-1/2" (196.8cm)	5	19-7/8" X 66-7/8" X 9" (50.4 X 169.8 X 22.8cm)	10.7 amps. - 120 V - 3/4 HP	435 (197.3kg)
CARM-6	91-1/4" (231.7cm)	6	19-7/8" X 80-5/8" X 9" (50.4 X 204.7 X 22.8cm)	10.7 amps. - 120 V - 3/4 HP	520 (235.9kg)