



**ATLAS METAL**

1135 N.W. 159th DRIVE, MIAMI, FLORIDA 33169

TEL 305.625.2451

TOLL FREE 800.762.7565

FAX 305.623.0475

WWW.ATLASFOODSERV.COM

SALES@ATLASFOODSERV.COM

Project: \_\_\_\_\_

Item No.: \_\_\_\_\_

Quantity: \_\_\_\_\_

**MODULAR UNITS CA SERIES**



CACS SHOWN WITH ACCESSORIES

**CASHIER UNIT**

**CACS**

**SPECIFICATIONS**

**TOP:** Constructed of 16 gauge, type 304 stainless steel, die-formed, welded, ground and polished. An integral locking device shall be provided to align and retain cart positioning when two or more carts are joined.

**BODY:** Frame construction shall be of hi-tensile aluminum square tubing, 1-1/4" x 1-1/4". Frame sections are welded construction, ground and polished to a uniform finish. Body is complete with front panel of plastic laminate on .063 aluminum. Owner to specify finish. Additional section of 1-1/4" tubing is provided to act as a foot rest.

**CASH DRAWER:** The unit is provided with a drawer, mounted under the counter top, on ball bearing roller guides - location as specified. Drawer includes a keyed cylinder lock.

**CASTERS:** The casters shall be 5" diameter, non-marking rubber tired, swivel type with ball bearings in both swivel and axle raceways, provided with grease fittings. Both casters on operator's side have toe activated brakes.

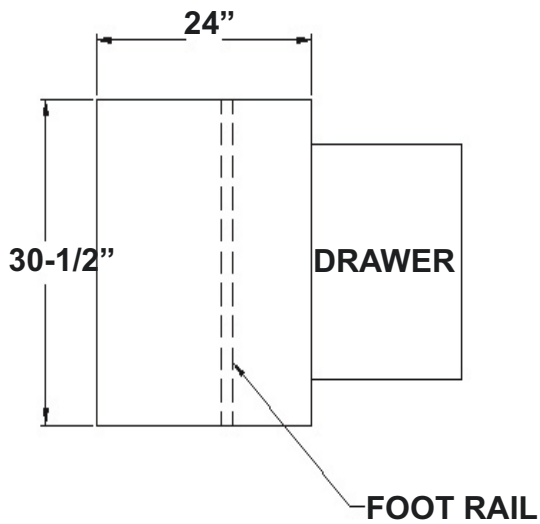
*Specifications subject to change without notice.*

**STANDARD FEATURES**

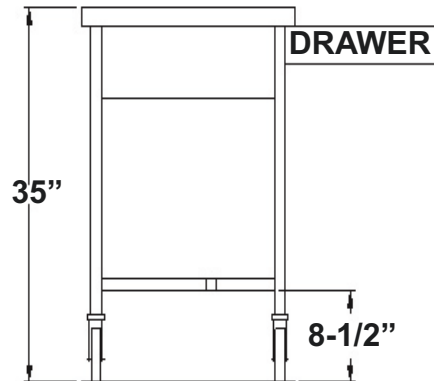
- Large area for cash register
- Locking cash drawer, and foot rest
- Fully mobile - each unit is provided with 5" dia. swivel casters, two with brakes
- Versatile - available in a wide range of sizes and a wide variety of finishes and colors
- 1-Year Parts & Labor Warranty

**ACCESSORIES**

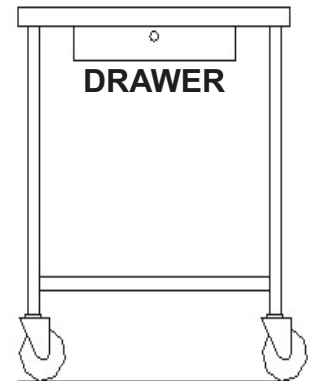
- **SL** - Tray Slide, 11-1/4" wide, S/S, 2-rail, fold-down
- **SLT** - Tray Slide, 11-1/4" wide, S/S, 3-rail, fold-down
- **SLS** - Tray Slide, 11-1/4" wide, S/S solid, ribbed, fold-down
- **SLF** - Tray Slide, 11-1/4" wide, plastic laminate with S/S runners, fold-down
- **SH** - Work Shelf, 8" wide, S/S, fold-down
- **CB** - Work Shelf, 8" wide, hardwood maple, fold-down
- **CR** - Work Shelf, 8" wide, Richlite, fold-down
- **EFP** - 24" Extended Front Panel and Tray Slide
- **EPA** - End Panel, aluminum w/ plastic laminate (each)
- **RP** - Rear Panel (fixed)
- **S** - S/S Front Panel
- **EPS** - S/S End Panel (each)
- **PP** - Painted Panels, urethane, in lieu of laminate
- **US** - Bottom Shelf, S/S, removable
- **HD** - Hinged Doors, S/S
- **DL** - Door Locks (set)(for **RPS** or **HD**)
- **FH** - Ferruled Hole in Top for Cord Drop
- **SC** - Square Cutout
- **RC** - Round Cutout
- **RST** - Reinforced S/S Top
- **CO** - Convenience Outlet (specify base or apron mount)
- **CO-DUP** - Convenience Outlet, Duplex receptacle
- **ERS** - Electrical Raceway System
- **PCS** - 7 to 10 ft. Power Cord
- **CW** - Cord Wrap
- **P-CAST** - Polyurethane Casters, 2-W/Brakes
- **Legs** with adjustable feet in lieu of casters
- **BSF** - Front Skirt with recessed casters
- **BSE** - End Skirt (each)
- **BSR** - Rear Skirt



PLAN VIEW



REAR ELEVATION



END VIEW

MODEL	SHIP WT. (lbs.)
CACS	235 (106.5kg)