



# ATLAS METAL

1135 N.W. 159th DRIVE, MIAMI, FLORIDA 33169

TEL 305.625.2451

TOLL FREE 800.762.7565

FAX 305.623.0475

WWW.ATLASFOODSERV.COM

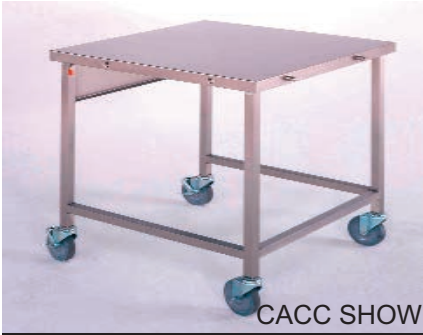
SALES@ATLASFOODSERV.COM

Project: \_\_\_\_\_

Item No.: \_\_\_\_\_

Quantity: \_\_\_\_\_

## MODULAR UNITS CA SERIES



CACC SHOWN

## CORNER UNIT

CACC

### SPECIFICATIONS

**TOP:** Solid top constructed of 16 gauge, type 304 stainless steel, die-formed welded, ground and polished. An integral locking device shall be provided to align and retain cart positioning when two or more carts are joined.

**BODY:** Frame construction shall be hi-tensile aluminum square tubing, 1-1/4" x 1-1/4". Frame sections are welded construction, ground and polished to a uniform finish. Body is complete with a 7" rear apron of plastic laminate on .050 aluminum. Owner to specify finish. An 18 gauge stainless steel undershelf is included.

**CASTERS:** The casters shall be 5" diameter, non-marking rubber tired, swivel type with ball bearings in both swivel and axle raceways, provided with grease fittings. Both casters on operator's side have toe activated brakes.

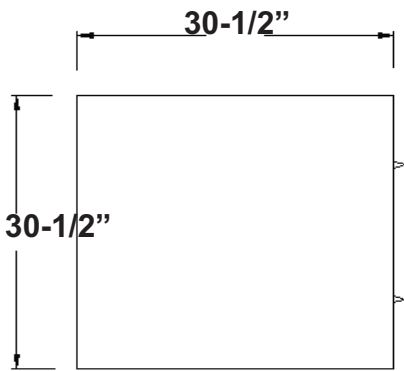
*Specifications subject to change without notice.*

### STANDARD FEATURES

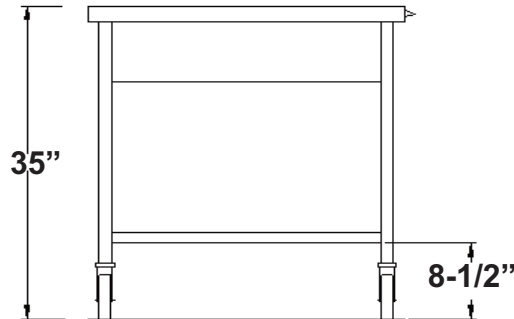
- Positive self-locking device - keeps tops level and equipment in place
- Stainless Steel Undershelf, removable
- Fully mobile - each unit is provided with 5" dia. swivel casters, two with brakes
- Versatile - available in a wide range of sizes and a wide variety of finishes and colors
- 1-Year Parts & Labor Warranty

### ACCESSORIES

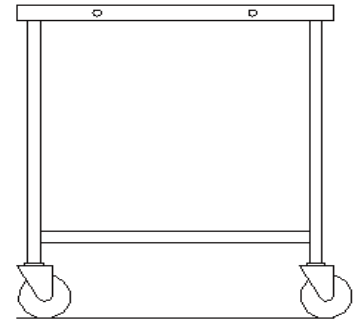
- **SL** - Tray Slide, 11-1/4" wide, S/S, 2-rail, fold-down
- **SLT** - Tray Slide, 11-1/4" wide, S/S, 3-rail, fold-down
- **SLS** - Tray Slide, 11-1/4" wide, S/S solid, ribbed, fold-down
- **SLF** - Tray Slide, 11-1/4" wide, plastic laminate with S/S runners, fold-down
- **SH** - Work Shelf, 8" wide, S/S, fold-down
- **CB** - Work Shelf, 8" wide, hardwood maple, fold-down
- **CR** - Work Shelf, 8" wide, Richlite, fold-down
- **ES** - End Shelf, 16" wide, S/S, fold-down
- **CBE** - End Shelf, 16" wide, hardwood maple, fold-down
- **EPA** - End Panel, aluminum w/ plastic laminate (each)
- **EPS** - S/S End Panel (each)
- **PP** - Painted Panels, urethane, in lieu of laminate
- **HD** - Hinged Doors, S/S
- **DL** - Door Locks (set)(for **RPS** or **HD**)
- **SC** - Square Cutout
- **RC** - Round Cutout
- **UT** - Utility Drawer, 20-1/2" x 20-1/2" x 5"
- **CD** - Cashier Drawer
- **RST** - Reinforced S/S Top
- **CO** - Convenience Outlet (specify base or apron mount)
- **CO-DUP** - Convenience Outlet, Duplex receptacle
- **JBC** - Outlet Box in base, 4x4 (120V) with cord
- **JBH** - Outlet Box in base, 4x4 (120V/240V) with cord
- **ERS** - Electrical Raceway System
- **PCS** - 7 to 10 ft. Power Cord
- **CW** - Cord Wrap
- **P-CAST** - Polyurethane Casters, 2-W/Brakes
- **Legs** with adjustable feet in lieu of casters
- **BSF** - Front Skirt with recessed casters
- **BSE** - End Skirt (each)
- **BSR** - Rear Skirt



**PLAN VIEW**



**REAR ELEVATION**



**END VIEW**

MODEL	SHIP WT. (lbs.)
CACC	165 (74.8kg)