

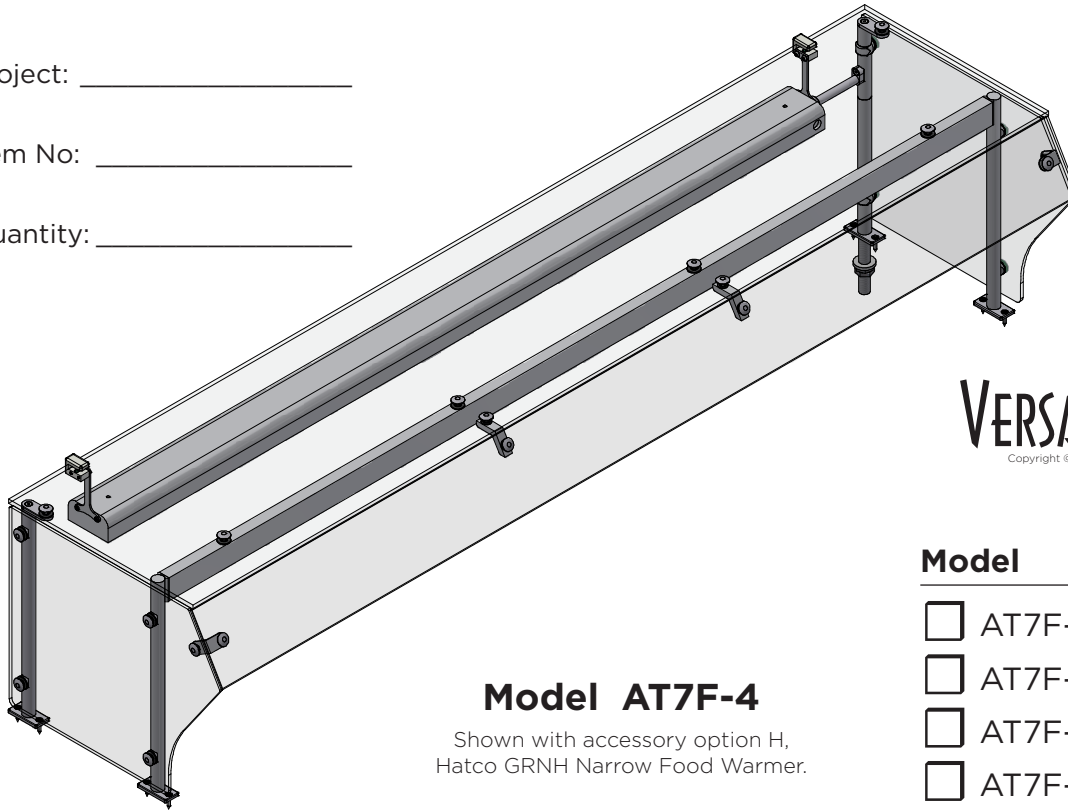
AT SERIES Food Shields

Model AT7F Self-Service Food Shield

Project: _____

Item No: _____

Quantity: _____



VERSA-GARD®
Copyright © Versa-Gard, 2021



Model AT7F-4

Shown with accessory option H,
Hatco GRNH Narrow Food Warmer.

Model	OA length (L1)
<input type="checkbox"/> AT7F-2	35 ¼"
<input type="checkbox"/> AT7F-3	49"
<input type="checkbox"/> AT7F-4	62 ¾"
<input type="checkbox"/> AT7F-5	76 ½"
<input type="checkbox"/> AT7F-6	90 ¼"
<input type="checkbox"/> Custom	_____

DESCRIPTION

Self-service protector for buffet lines, salad bars and serving lines.

Clear tempered glass panels that meet or exceed ANSI Z97.1 standards.

1"Ø CNC machined solid supports

Wide range of finish options available.

Exceptional construction - all components CNC machined in the USA for years of service.

Modular design and machined componentry allows for changes or additions at a later date.

Produced, finished and assembled in the USA.

Finish:

- Satin Clear Anodized Aluminum
- Black Matte Powder Coat
- Silver Powder Coat
- Brushed Stainless Steel
- _____

End Panels: (from customer side)

- Left
- Right

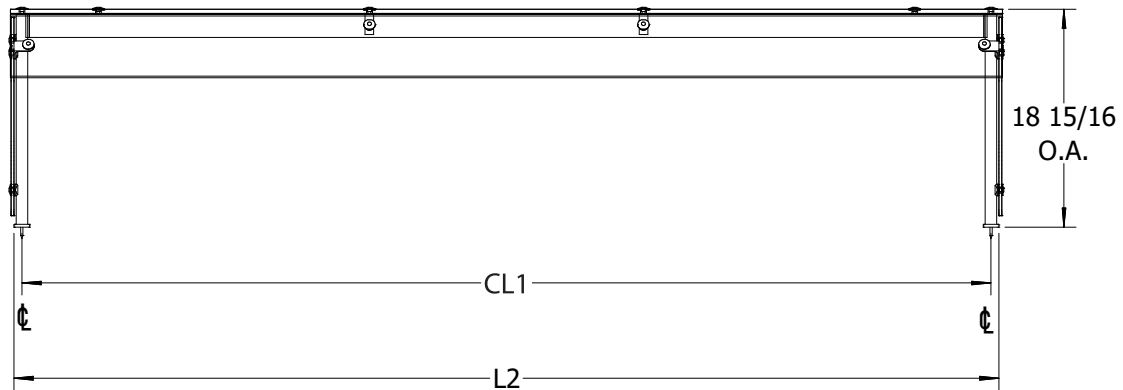
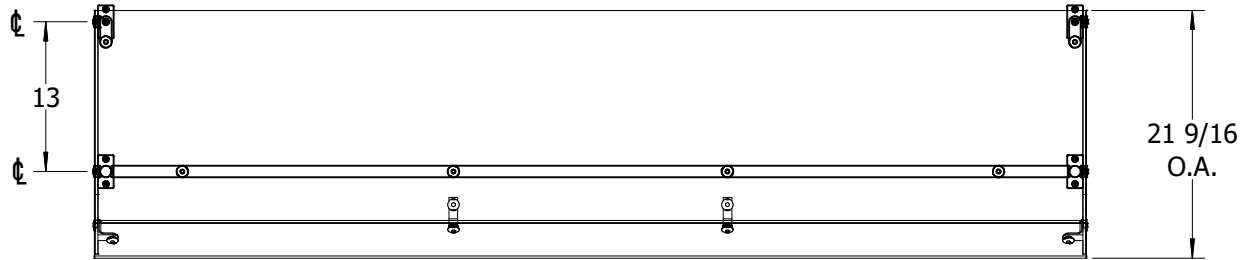


ATLAS METAL
atlasfoodserv.com

a subsidiary of Mercury Aircraft

1135 NW 159 Dr., Miami, Florida 33169
Tel: (305) 625-2451 or (800) 762-7565 • Fax: (305) 623-0475
atlasfoodserv.com • sales@atlasfoodserv.com

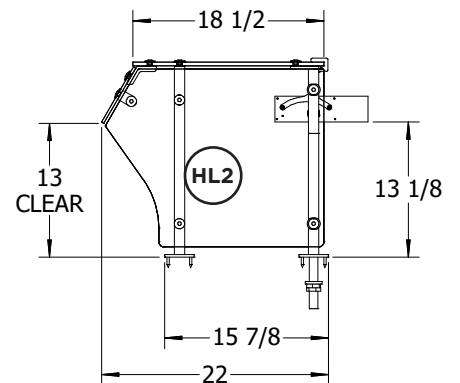
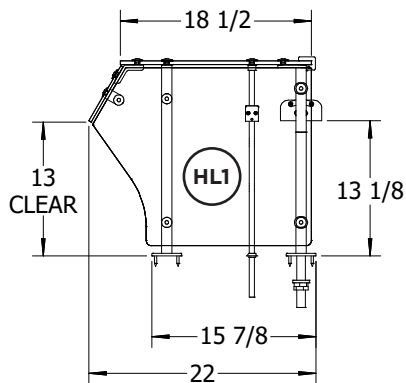
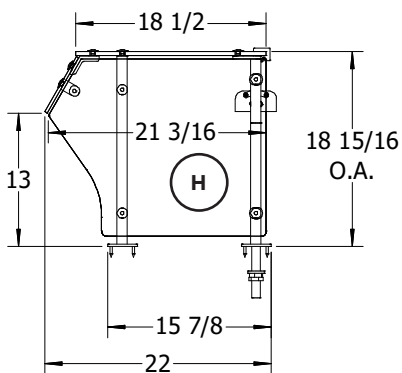
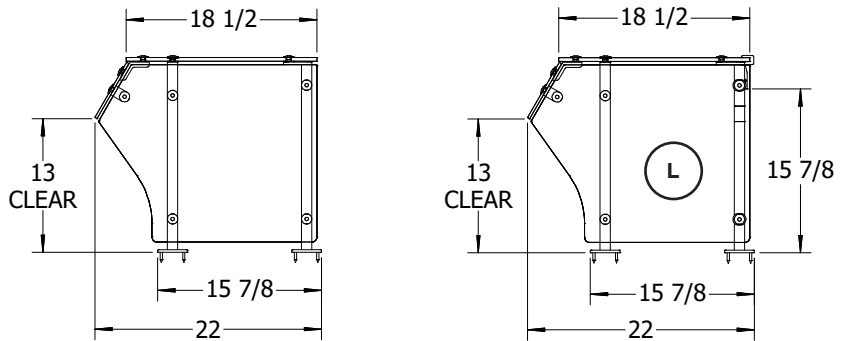
Model AT7F - Self-Service Food Shield



Accessories

- **L** 12V LED Light
- **H** Hatco GRNH Narrow Food Warmer
- **HL1** Hatco GRNH Narrow Food Warmer with 12V LED Light
- **HL2** Hatco GRAHL Food Warmer with Incandescent Light

END VIEWS with Accessories



rev 10/2021



ATLAS METAL
atlasfoodserv.com

a subsidiary of Mercury Aircraft

1135 NW 159 Dr., Miami, Florida 33169
Tel: (305) 625-2451 or (800) 762-7565 • Fax: (305) 623-0475
atlasfoodserv.com • sales@atlasfoodserv.com